

International Slalom Skateboard Association

ISSA World Records Rules

1. Revision History

Revision	Name	Date	Description
0.0	Pat Chewning	01- MAR- 2008	Initial Draft
1.0	Pat Chewning	01-JUN-2008	Finalized and in effect
2.0	Hans Koraeus	01- JUN-2021	

2. Introduction

These are the ISSA Slalom Skateboarding World Record Rules. The objectives of these rules are to:

1. Provide contest directors and racers with a uniform set of written rules for establishing world records.
2. Describe world record documentation requirements.

These rules are in effect 01-JUN-2021

The ISSA Board of Directors may make clarifications, emergency changes, or alterations to these rules during the race season by a majority vote of the Board of Directors.

3. General Rules

3.1. Rules to Apply to World Records

- The rules in this World Record document are to be applied.
- The rules from the ISSA Slalom Skateboard Racing rules shall be applied, except where the World Record rules take precedence.
- Timing should be by tape-switch.

4. World Record Classes

World records will be recognized in 4 courses, 6 time formats and 8 racer classes (a total of 48 world records).

4.1. Record Types

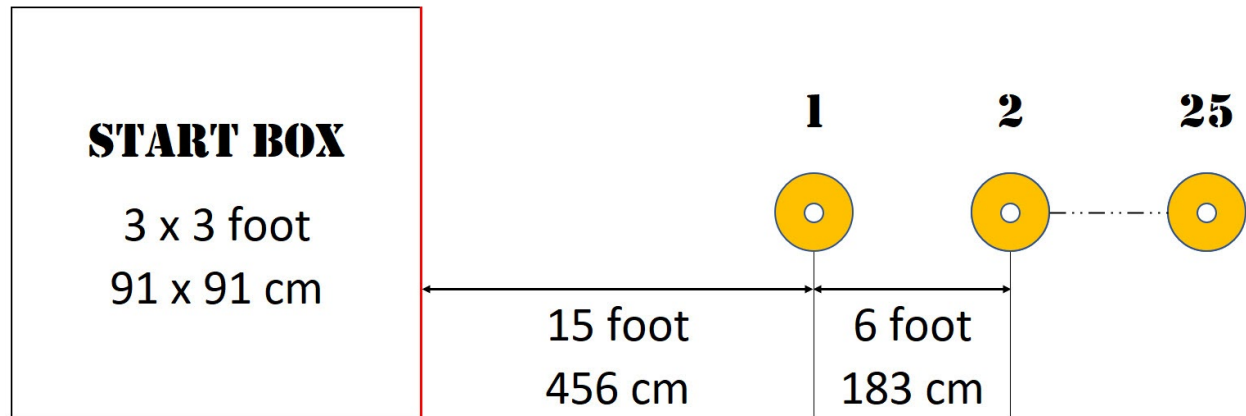
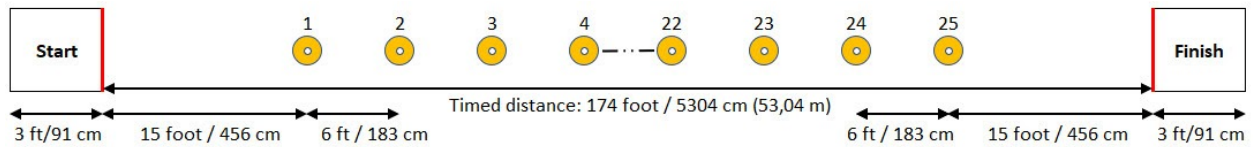
- 25-Cone Course
 - Straight (clean runs only)
 - Irregular (with cone penalty)
- 50-Cone Course
 - Straight (clean runs only)
 - Straight (with cone penalty)
- 100-Cone Course
 - Straight (clean runs only)
 - Straight (with cone penalty)

4.2. Racer Classes

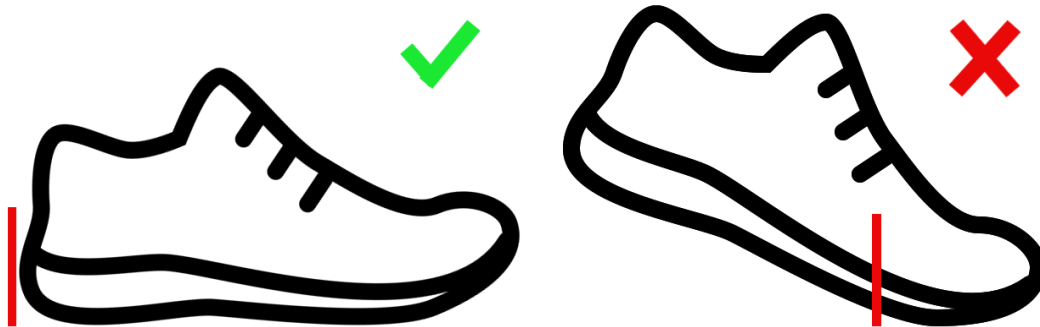
- **Men** and **Women** classes for all of the below age classes
- **Open** (All ages)
- **Juniors** (Age 17 and below)
- **Masters** (Age 45-54)
- **Grand Masters** (Age 55-64)

5. Course Descriptions

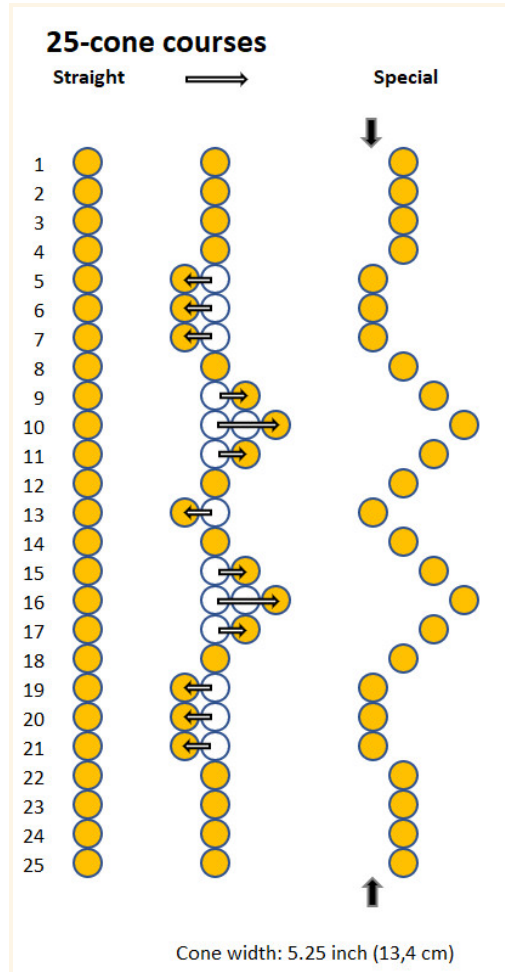
5.1. 25-Cone Course



- Start and end lines (tape-switches) at red lines. See course drawings above.
- Before the start, the racer's pushing foot must be inside the start box. The vertical red lines below represent the back line of the start box.



- Run on a flattish spot. It's ok with a slight even inclination. No strong winds.
- Always need to run the course in both directions. Should be done without delay. Short delays because of rain or strong winds are ok.
Total time = Average of the best run times from both directions.
- Only allows tape switch and milliseconds timer.
- Max number of runs/tries in each direction: 4

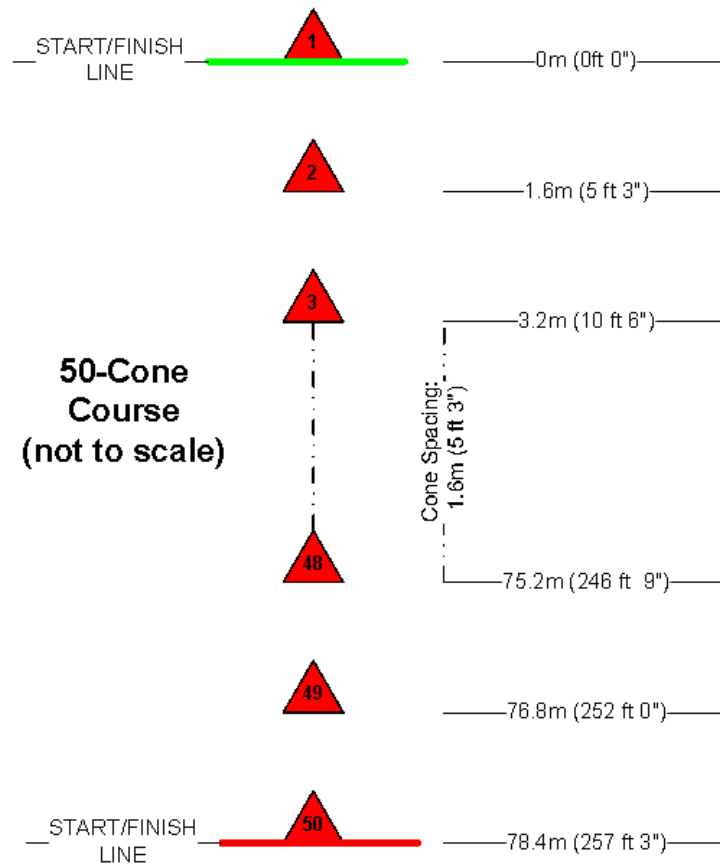


The straight course is the base for the irregular slalom course but where cones are pushed sideways in 1 cone steps. A cone width is expected to be 5.25 inch/13.5 cm. If cones have another width make sure the outer part of the cones are moved in steps of the standard width mentioned above.

Notice that the irregular course becomes mirrored in the opposite direction. You are forced to enter the irregular course from a specific side. You will enter from a different side going in the opposite direction. See drawing above what side to enter.

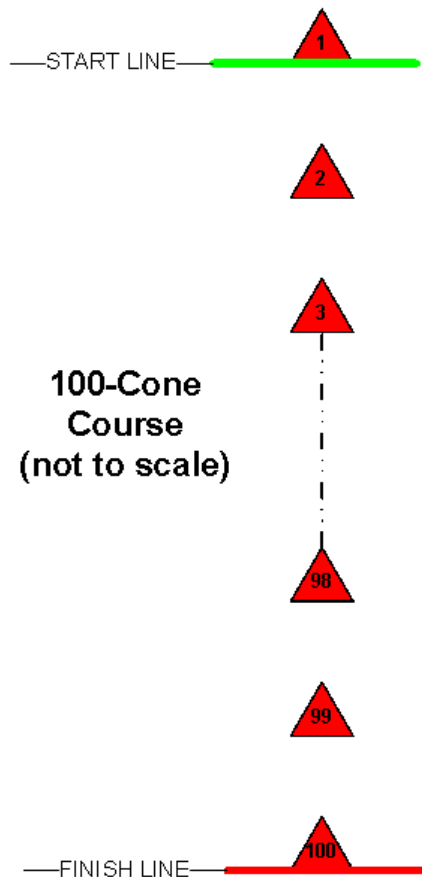
5.2. 50-Cone Course

- Start line at center of 1st cone
- Cones spaced at 5ft 3" (1,6m) in a straight line.
- Finish line at center of 50th cone
- Start from a ramp or push-start.
- Records to be kept with cone penalty:
 - 5 cone displacements allowed
 - Cone Penalty is 0.1s per cone displaced
- Records to be kept for "clean" runs (0 cones displaced).



5.3. 100-Cone Course – see diagram

- Start line at center of 1st cone
- Cone spacing is optional, but must be in a straight line
- Finish line at center of 100th cone
- May be run on inclined surfaces and in wind
- Start from a ramp or push-start.
- Records to be kept with cone penalty:
 - 10 cone displacements allowed
 - Cone Penalty is 0.1s per cone displaced
- Records to be kept for “clean” runs (0 cones displaced).



6. World Record Attempts, Documentation, Administration

6.1. World Record sanctioned events

World record attempts may be made at any ISSA sanctioned events with Basic status or higher. It must be specified specifically that world record attempts will be made.

Guinness records or any other special record attempts are allowed as long as they follow the rules of ISSA sanctioned events above.

For the ISSA sanctioned events (Basic, Prime, Main and Major) you are allowed to use the extra disciplines to make a sanctioned World Record Attempt/Race. An ISSA event has max 3 official disciplines and max 3 extra disciplines. Only the 3 official disciplines are counted towards the World Ranking.

World Record attempts/races may be filtered to only let racers with a reasonable chance for each class to enter the race. This is not allowed for World Ranking disciplines and why the extra disciplines should be used in these cases.

6.2. Documentation Required

- A description of how the course was measured to be in compliance with the rules including: cone spacing, course flatness, wind speed, and timing equipment
- Photographs/film of the course including: Start line, Finish line, cone placement (to see that the course has a proper setup).

6.3. World Record Submittal

After the world record attempt/race is finished then submit the following information to ISSA officials (Status Marshals, World Ranking Supervisor or BOD/board of directors):

- Name of contest director
- Location of contest
- Date of contest
- Name of racer, time, (cone penalties)
- Course documentation

6.4. World Record Administration

In order for the ISSA to accept a world record, the following must apply:

- Course documentation received
- Attempts were made at a World Record sanctioned event
- The records are approved by the ISSA BOD.